

**Ocean Resource Ltd**



# **SeaSequestor**

- **Low Cost Practical Sequestration System**
  - **Economical CO<sub>2</sub> Injection into Small Sinks**
  - **Permits Cost-effective Use of CO<sub>2</sub> for EOR**
  - **High Proportion of Proven Technology**
-

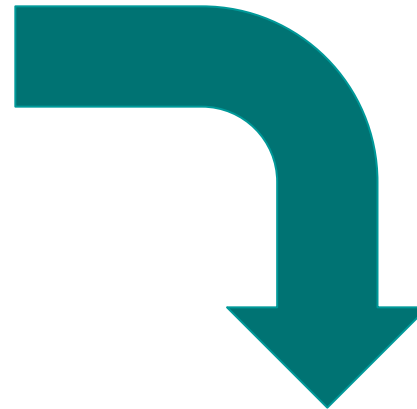
# CCTS - The Problem



Ocean Resource Ltd

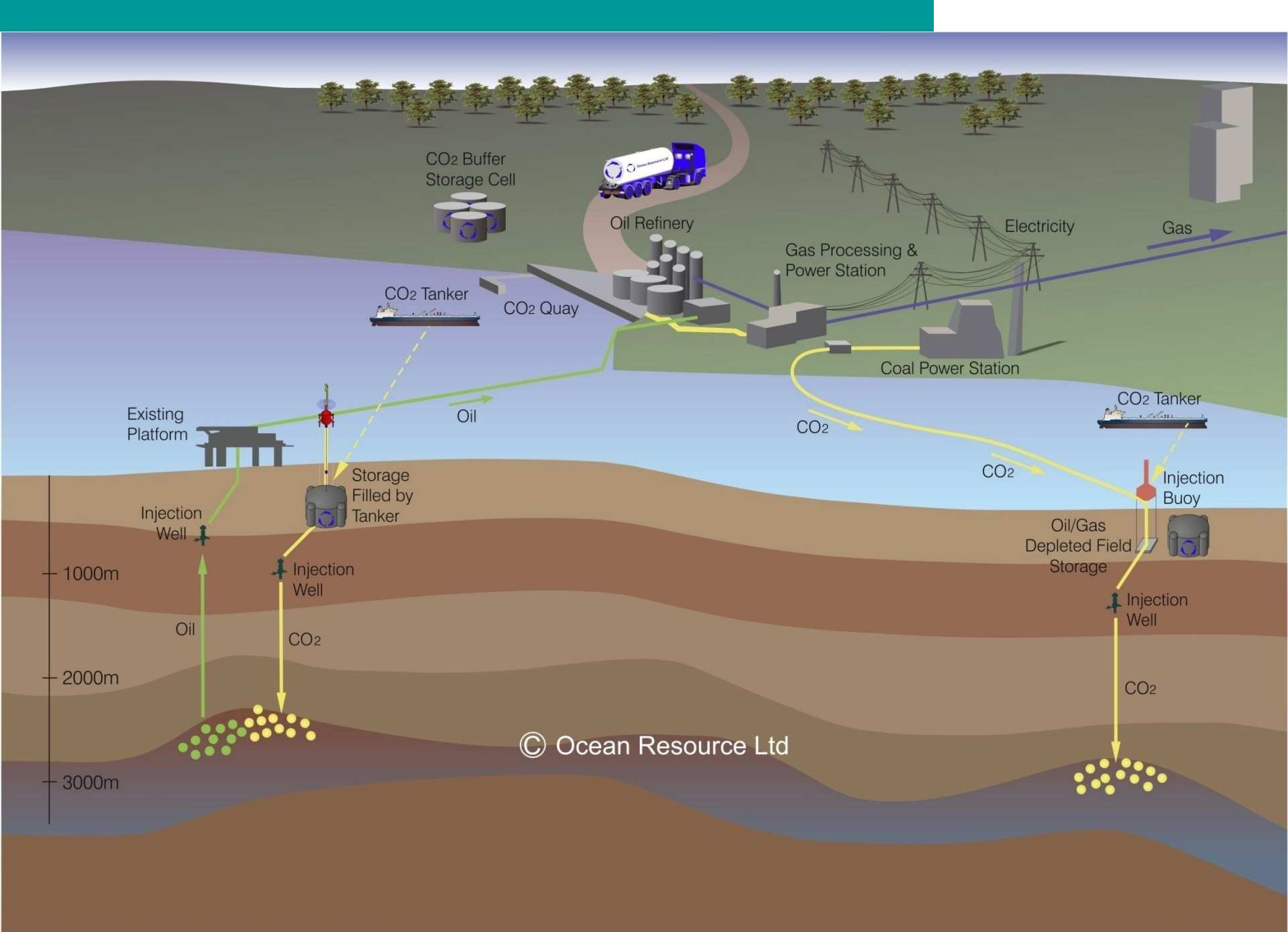


• Pipeline costs only permit use of a very large sink – Very high capital cost



- Existing facilities – probably inadequate, unsuitable and lified
- New platforms (or FISO's) have very high through-life costs
- Uncertainties in selected fields are likely to be a problem

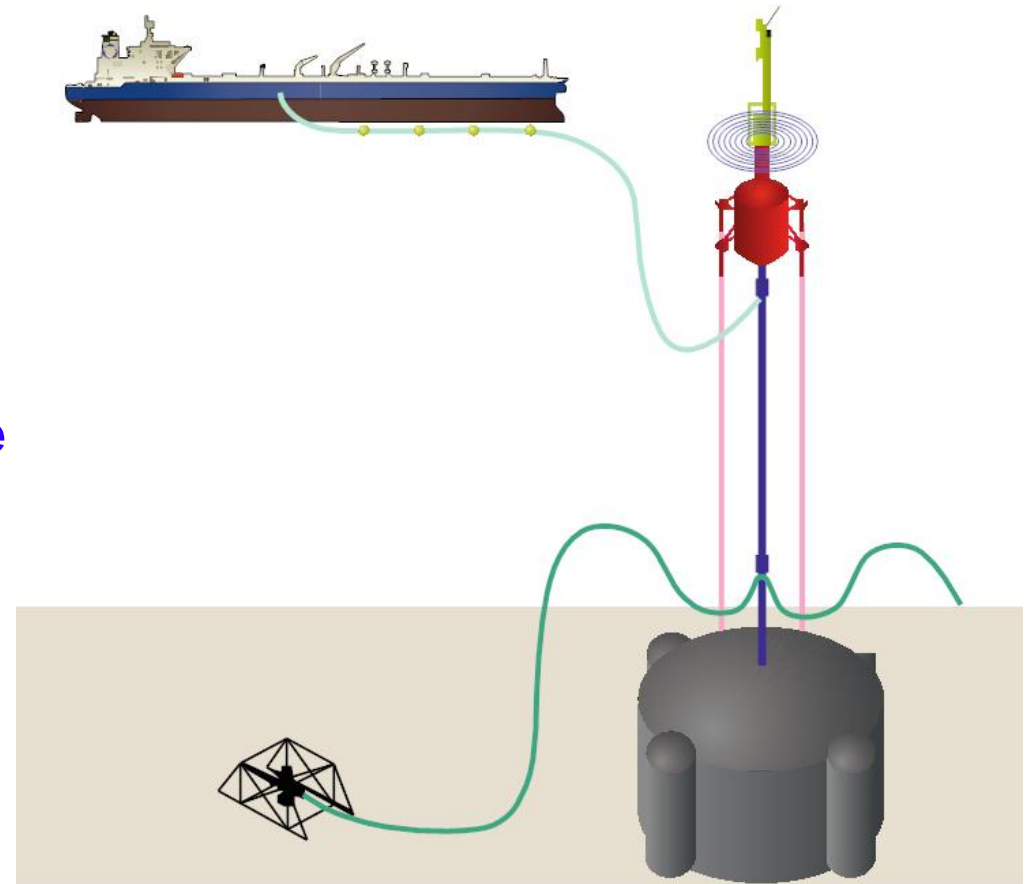






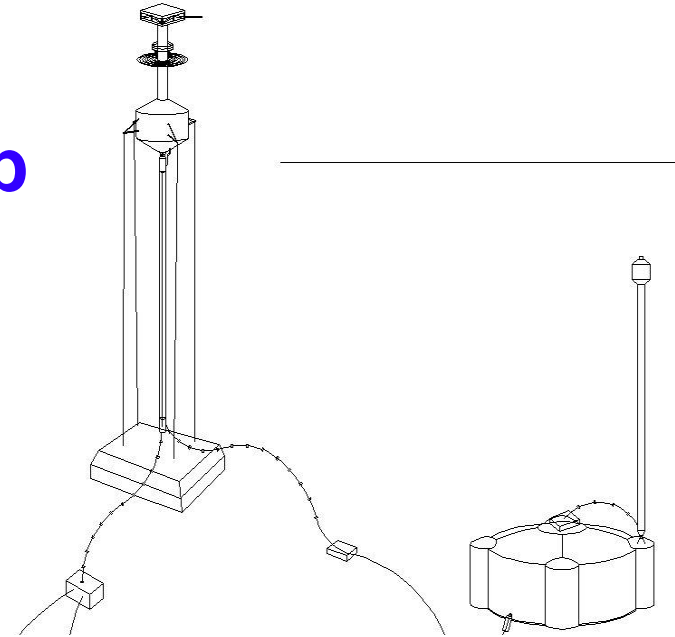
- ◆ Low cost offshore CO2 transport, delivery and injection system
- ◆ Subsea buffer storage working in concert with CO2 transport vessels
- ◆ Avoids the costly pipeline installation or upgrade
- ◆ Enables EOR using CO2 for minimum cost
- ◆ Provides a start-up CCS route to market

## Sea Sequestor™ + Sea Store™





- ✓ **CCS market needs a minimum cost way to start up**
- ✓ **SeaSequestor offers a low cost way forward**
- ✓ **Buoy Technology supports CO2 for EOR ... the market start point?**
- ✓ **SeaSequestor offers the UK a market leader opportunity ... now is the time to move**





- (i) Further feasibility studies ...**  
**Technical investigation of :**
  - ▶ **buffer storage seals**
  - ▶ **operational phase changes in CO<sub>2</sub>**
  - ▶ **tanker offloading and buffer storage**
  
- (ii) ... leading to a technology-ready full scale demonstration working with a CCTS partner**





# Ocean Resource Buoys Worldwide



Ocean Resource Ltd

**9 Sea Sentinel  
Buoys  
North Sea**



**Sea Power  
Power Buoy  
North Sea**



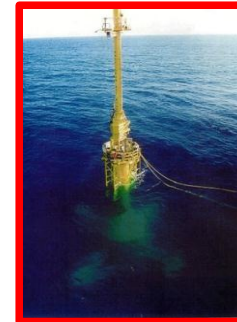
**Offshore  
New  
Jersey  
Lidar  
Buoy**



**Exxon-Mobil  
Zaphiro Flare  
Buoy West Africa**

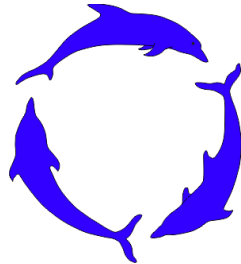


**East Spar  
Sea Commander  
Buoy Australia**



**Moss gas RSA  
Sea Commander  
Buoy**





# Ocean Resource Ltd

*Innovative Offshore Solutions*

*<http://www.buoysolutions.com>*

*<http://www.oceanresource.co.uk>*

*Tel: 0844 35 111 62 / +44 (0)1291 430841*

*Email : [info@oceanresource.co.uk](mailto:info@oceanresource.co.uk)*